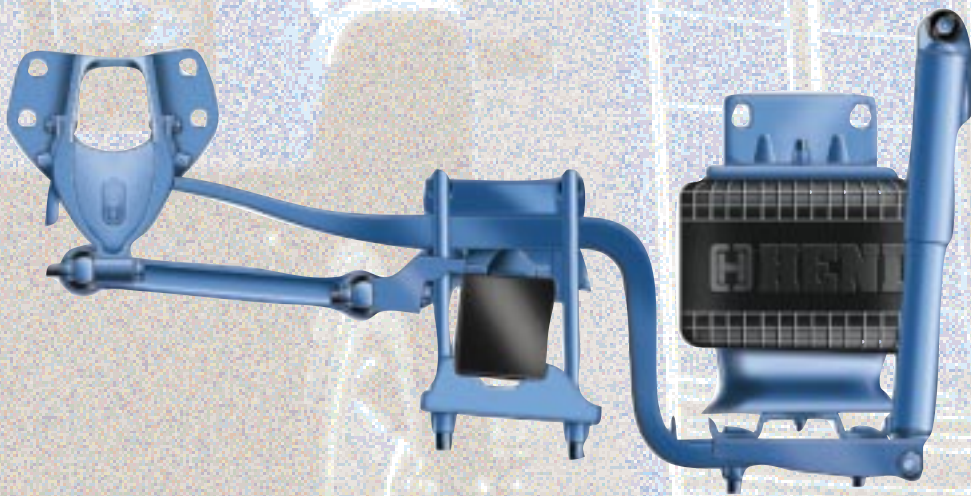


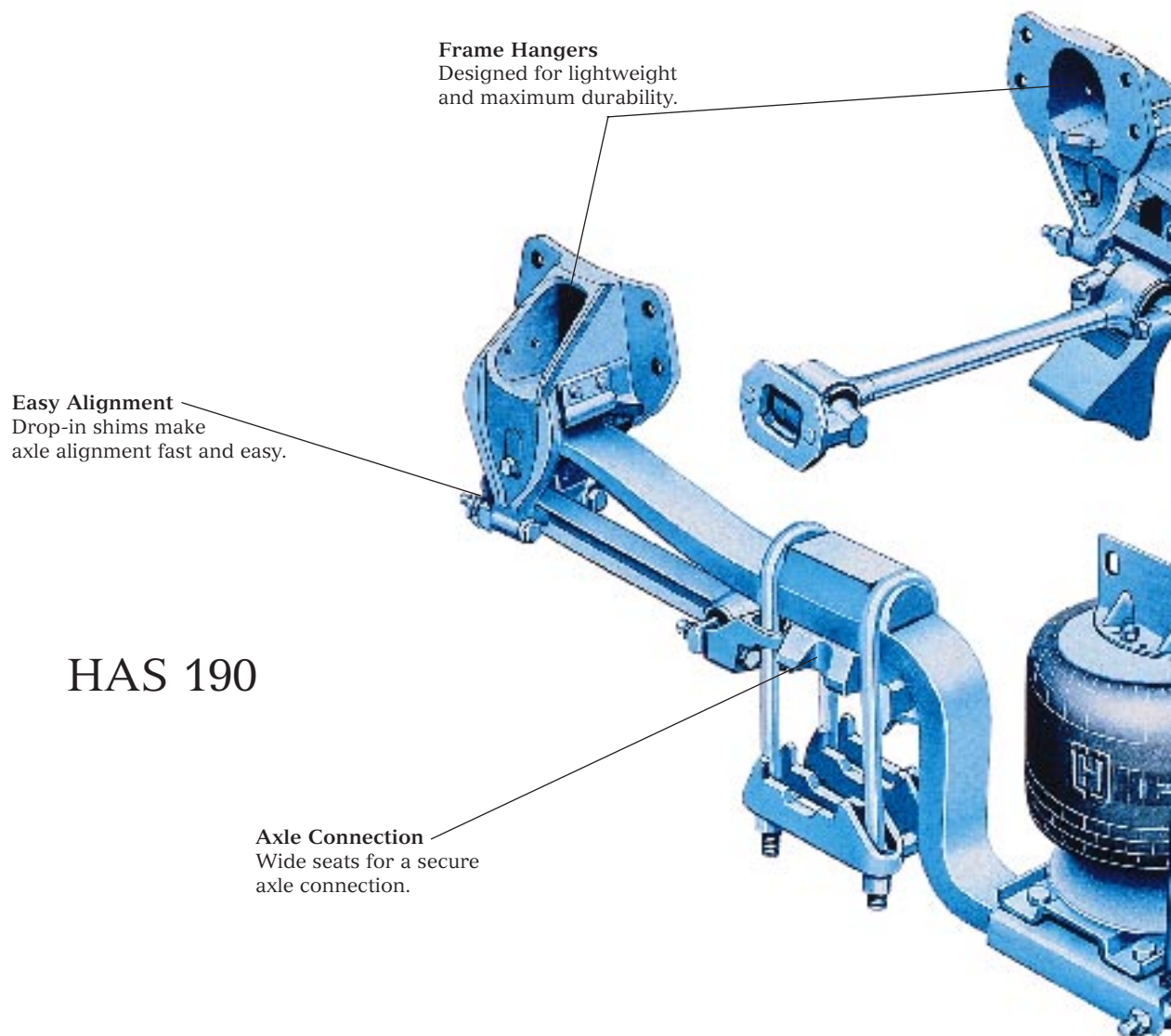
H HAS SERIES
Single-Axle Air Suspensions

Hendrickson supports you with
more driver comfort,
better cargo protection, and
longer vehicle life.



H HENDRICKSON

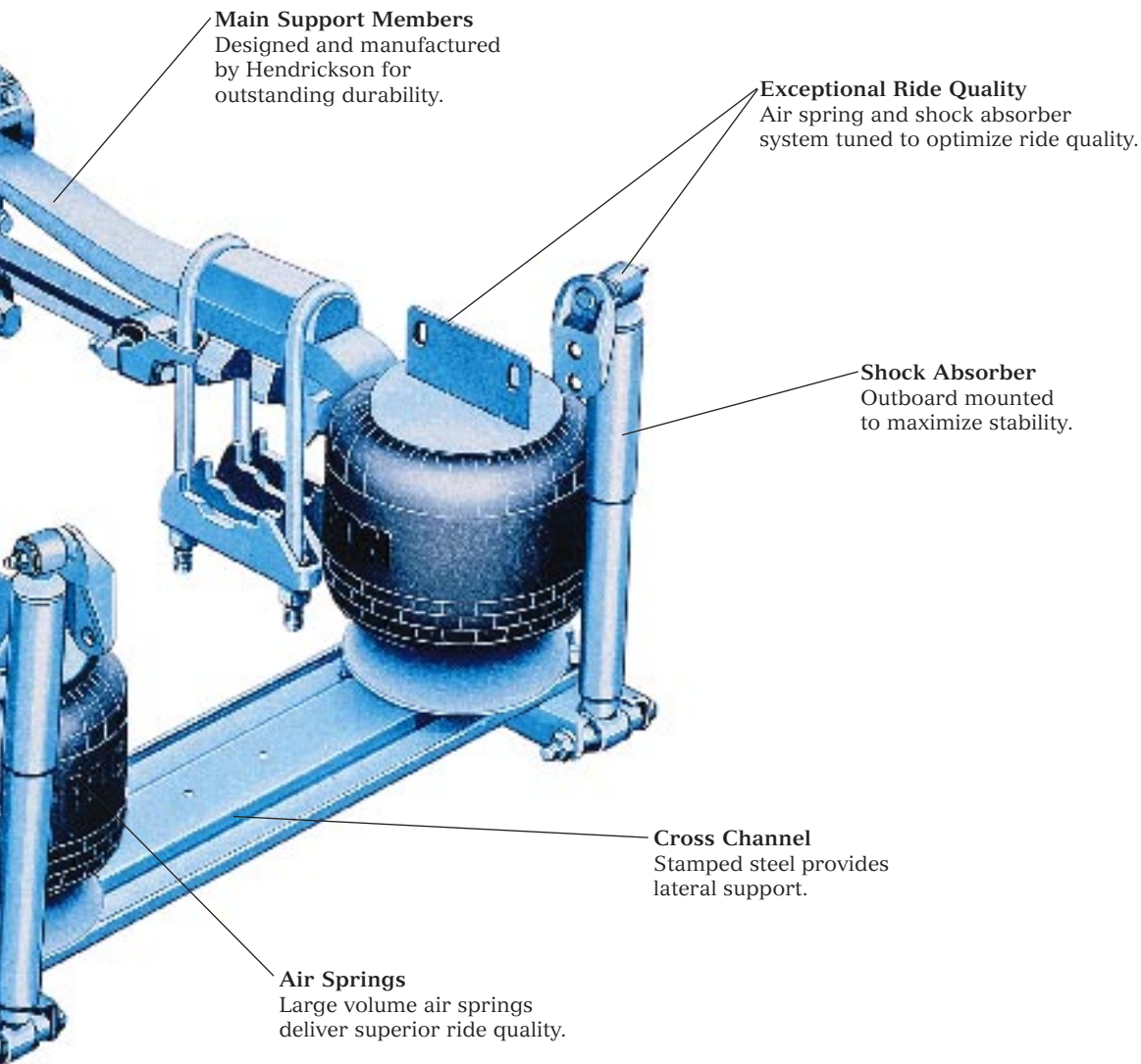
Hendrickson's big truck air suspension technology for big trucks, is better for your driver, better for your business.



One of the smartest investments you can make in your truck is specifying a Hendrickson Air Suspension. Hendrickson's technology, proven in over two million suspensions, now combines with the advantages of air to deliver increased driver comfort and superior cargo protection. That means less cargo damage and more profits. A Hendrickson Air Suspension also protects your vehicle from stress. You'll get longer equipment life, fewer repairs and less downtime.



Technology, now available in medium-duty your cargo, and better for your bottom line.



To further build your profits, we also offer a low profile option that can lower deck height by 3 to 7 inches. This not only makes loading and unloading faster and easier, but may also allow you to increase cubic payload capacity.

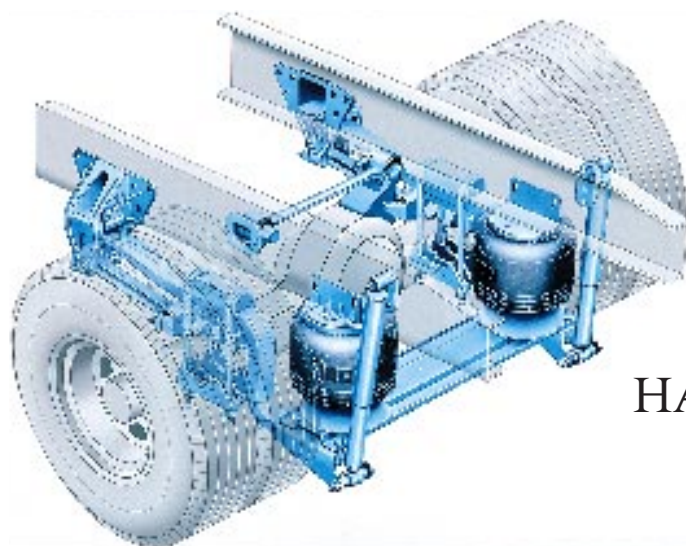
Hendrickson single-axle air suspensions are available with capacities from 12,000 lbs. to 23,000 lbs. Call 1-800-973-0360 for more information about a Hendrickson Air Suspension. It's the best investment you can make in your truck.



HAS Series Single-Axle Air Suspensions

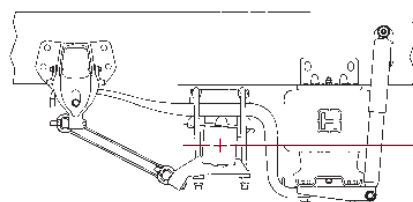
Specifications	HAS 120	HAS 150	HAS 190	HAS 210	HAS 230
Suspension Capacity	12,000 lbs.	15,000 lbs.	19,000 lbs.	21,000 lbs.	23,000 lbs.
Suspension Weight	396 lbs.	396 lbs.	423 lbs.	454 lbs.	470 lbs.

Typical Applications: Beverage Trucks, Buses, Emergency Vehicles, Recycling Vehicles, Sweepers, Tanker Trucks, On-Highway Vans.
Contact Hendrickson if you have any questions regarding an air suspension application not listed.

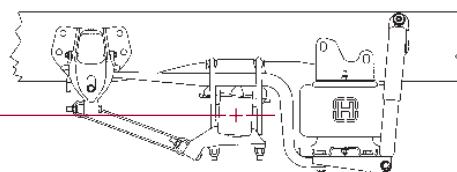


HAS 210

Ride Height Positions



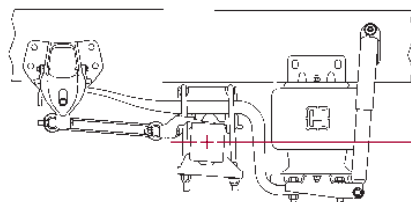
HAS 190 - For Disc Brakes



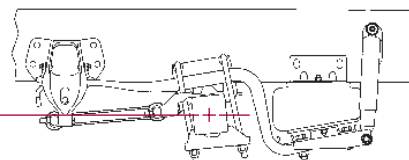
HAS 190 - For Disc Brakes,
Low Profile



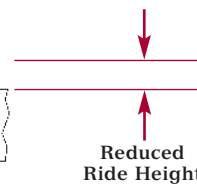
Reduced
Ride Height



HAS 190 - Full Air Brakes,
Normal Ride Height Position



HAS 190 - Full Air Brakes,
Dumped Position



Reduced
Ride Height

H **HENDRICKSON**
Truck Suspension Systems

A Boler Company